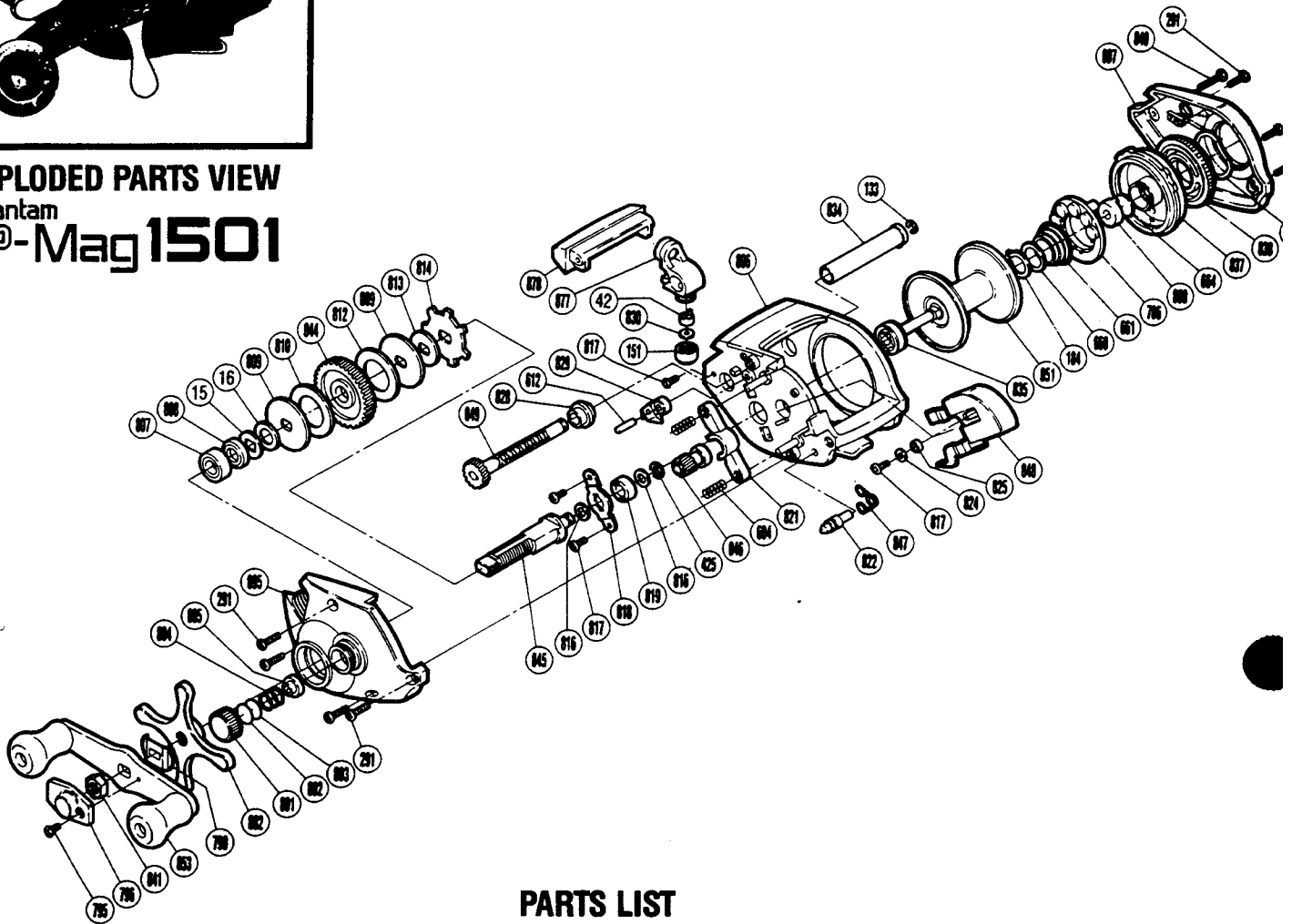


**EXPLODED PARTS VIEW**  
Bantam  
**P-Mag 1501**



**PARTS LIST**

PART #	DESCRIPTION
BNT 0015	Drag Spring Washer
BNT 0016	Friction Washer (C)
BNT 0042	Line Guide Pawl
BNT 0133	Worm Shaft Retainer
BNT 0151	Pawl Cap
BNT 0184	Magnet Retainer Lock
BNT 0291	Side Plate Screw
BNT 0425	Clutchbutton Lock
BNT 0604	Yoke Spring
BNT 0612	Anti-Reverse Pawl Pin
BNT 0660	Spring Spacer
BNT 0661	Magnet Retainer Spring
BNT 0664	Spacer (B)
BNT 0706	Magnet Retainer
BNT 0766	Dial Friction Washer
BNT 0795	Handle Nut Plate Screw
BNT 0796	Handle Nut Plate
BNT 0799	Friction Washer
BNT 0801	Cast Control Cap
BNT 0802	Spool Tension Spacer (B)
BNT 0803	Spool Tension Spacer (A)

PART #	DESCRIPTION
BNT 0804	Spool Tension Spring
BNT 0805	Spool Shaft Bushing (A)
BNT 0807	Drive Shaft Bearing
BNT 0808	Friction Washer (B)
BNT 0809	Key Washer (A)
BNT 0810	Drag Washer (A)
BNT 0812	Drag Washer (B)
BNT 0813	Key Washer (B)
BNT 0814	Anti-Reverse Ratchet
BNT 0816	Drive Shaft Washer
BNT 0817	Multi Purpose Screw
BNT 0818	Drive Shaft Retainer
BNT 0819	Drive Shaft Bushing
BNT 0821	Yoke
BNT 0822	Retractor Spring Pin
BNT 0824	Yoke Plate Washer (B)
BNT 0825	Yoke Plate Washer (A)
BNT 0828	Worm Bearing
BNT 0829	Anti-Reverse Pawl
BNT 0830	Spacer (Optional)
BNT 0834	Level Wind Guard

PART #	DESCRIPTION
BNT 0835	Spool Guard Bushing (B)
BNT 0837	Dial Case
BNT 0838	Magnetic Control Dial
BNT 0840	Left Side Plate Screw
BNT 0841	Handle Nut
BNT 0844	Drive Gear
BNT 0845	Drive Shaft
BNT 0846	Pinion Gear
BNT 0847	Retractor Spring
BNT 0848	Clutch Button
BNT 0849	Worm Shaft
BNT 0851	Spool
BNT 0853	Handle Assembly
BNT 0877	Line Guide
BNT 0878	Level Wind Protector
BNT 0880	Spool Shaft Bushing (C)
BNT 0882	Star Drag
BNT 0895	Left Side Plate
BNT 0896	One-Piece Frame
BNT 0897	Right Side Plate